



8/24 Albyn Street BEXLEY, NSW 1 [bed icon] 1 [bath icon] 1 [car icon]

Must Be Sold

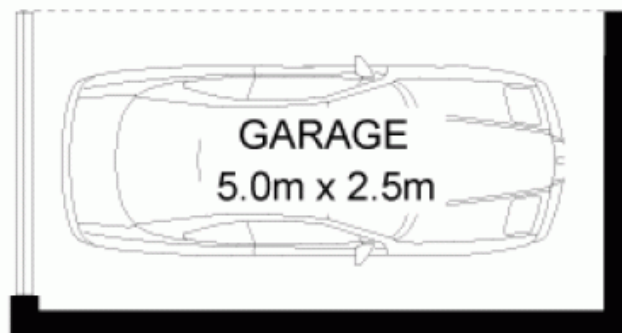
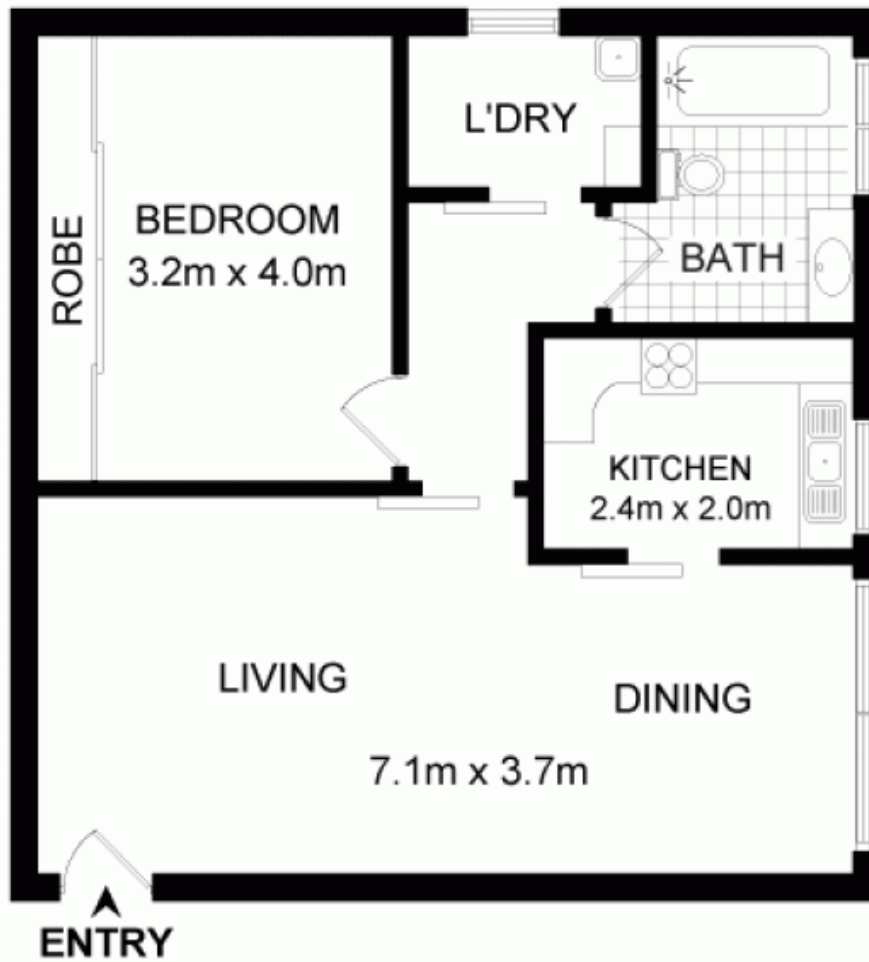
Poised perfectly, within a short walk to Bexley Shopping Village, the opportunity is here for the first home buyer or investor to enter the booming Bexley Suburb.

Price: Offers Above \$ 290,000



George Kambouroglou

0422 421 111



DISCLAIMER: THIS IS FOR ILLUSTRATIVE PURPOSES ONLY.  
ALL DIMENSIONS ARE APPROXIMATE AND IT DOES NOT  
CONSTITUTE PART OF ANY LEGAL DOCUMENTS.

ADDRESS:

**8/24 ALBYN STREET, BEXLEY**